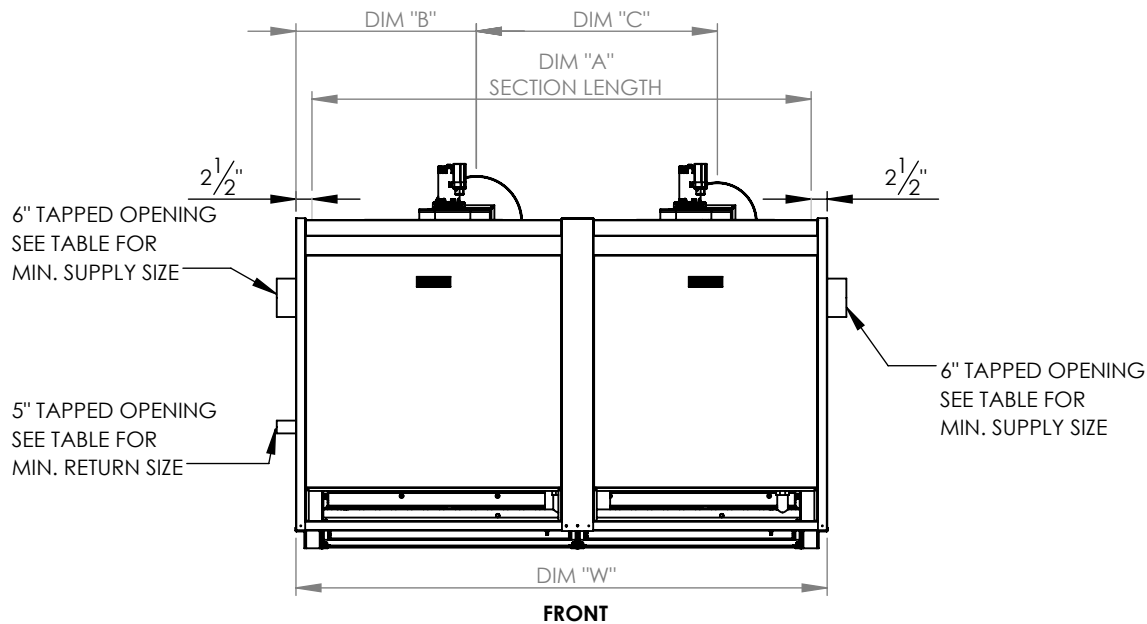
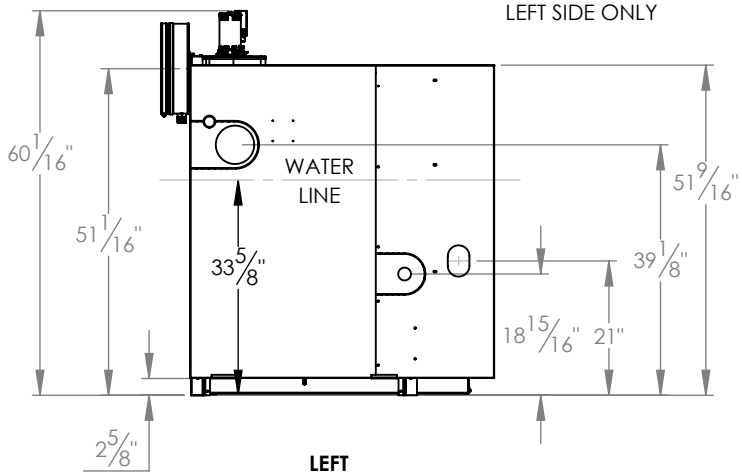
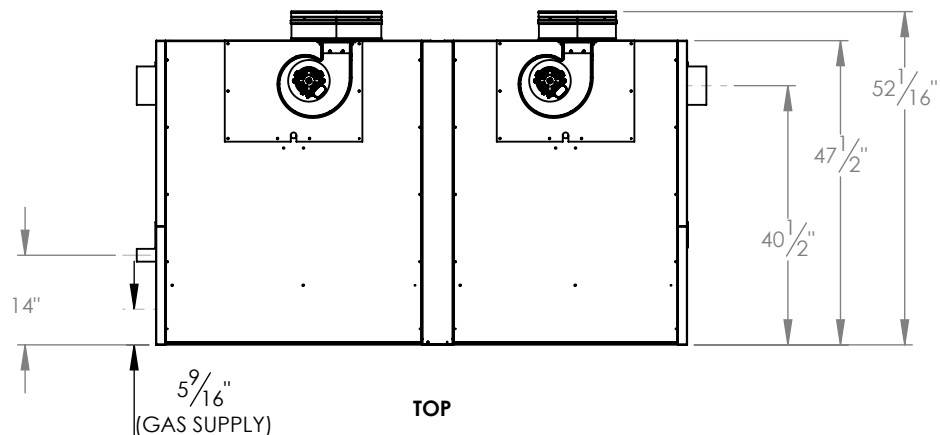
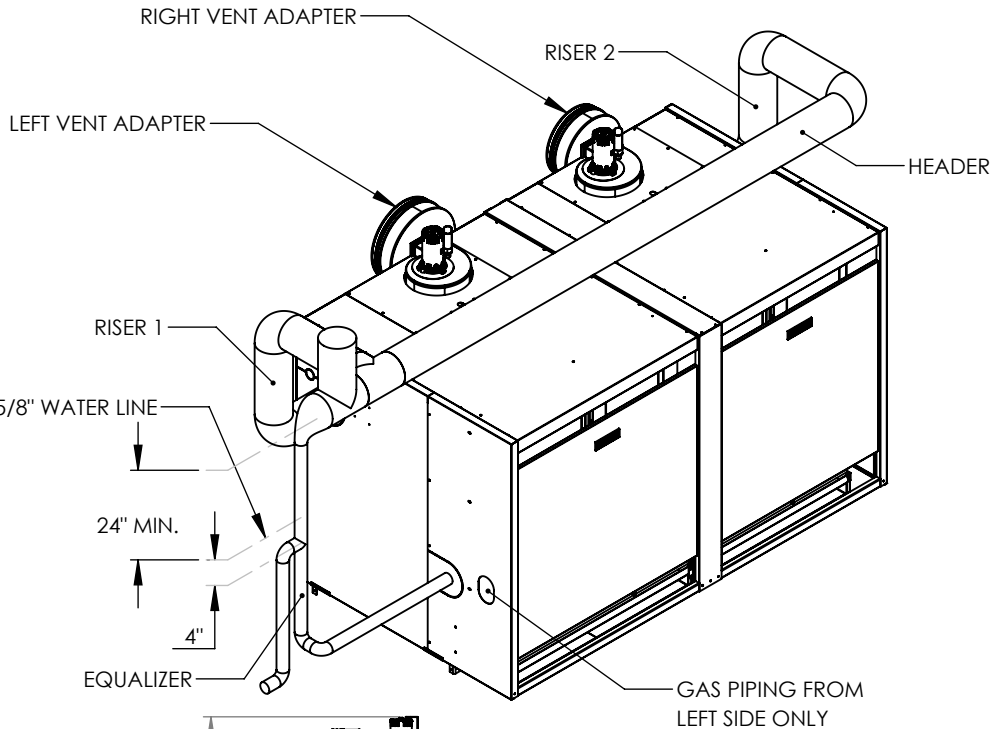


WEIL-MCLAIN  
LGB-14 THRU LGB-20  
STEAM



MODEL	PIPING SIZES				DIMENSIONS				VENT ADAPTERS	
	RISER MIN. SIZE	HEADER MIN. SIZE	EQUALIZER MIN. SIZE	GAS MIN. SIZE	A	B	C	W	LEFT	RIGHT
14	4	6	4	2	68	23-3/16	32-11/16	73	12	14
16	5	6	4	2	78	28-3/16	37-11/16	83	14	14
18	5	6	4	2	88	28-3/16	42-11/16	93	14	16
20	6	8	4	2	98	33-3/16	47-11/16	103	16	16