



*2023 DEPARTMENT OF  
ENERGY EFFICIENCY  
COMPLIANT*

**Ideal for Commercial Applications**

Municipal, Education & College Campus, Religious, and Institutional.

# 94 Steam Boilers

## STANDARD EQUIPMENT

- 2023 DOE regulatory compliant
- 85% thermal efficiency
- Steam boilers
- Cast iron sections
- 4,550–8,400 MBH
  - 14–25 section models
- Gas, oil, gas-oil fuel options
- Insulated flush jacket
- Flue collar with built-in breeching damper
- Front cleanout doors & wing nuts
- Back door access
- Flue brushes & handles
- Two 3" close nipples/caps for washout tappings on front sections
- Supply elbow(s) on top outlet(s)
- 15 psi ASME relief valves (outlet side)
- Low limit & high limit pressure controls
- Steam pressure gauge
- Gauge glass
- Gauge cocks
- Gauge guards
- Return flange (built into back sections)
- ASME side outlet safety valve
- 4.2" Steam pressure gauge syphon
- Back access door with observation port

## PACKAGED BOILERS

- Factory fire tested
- Protective boiler transit cover
- Low water cut-off (No. 193)

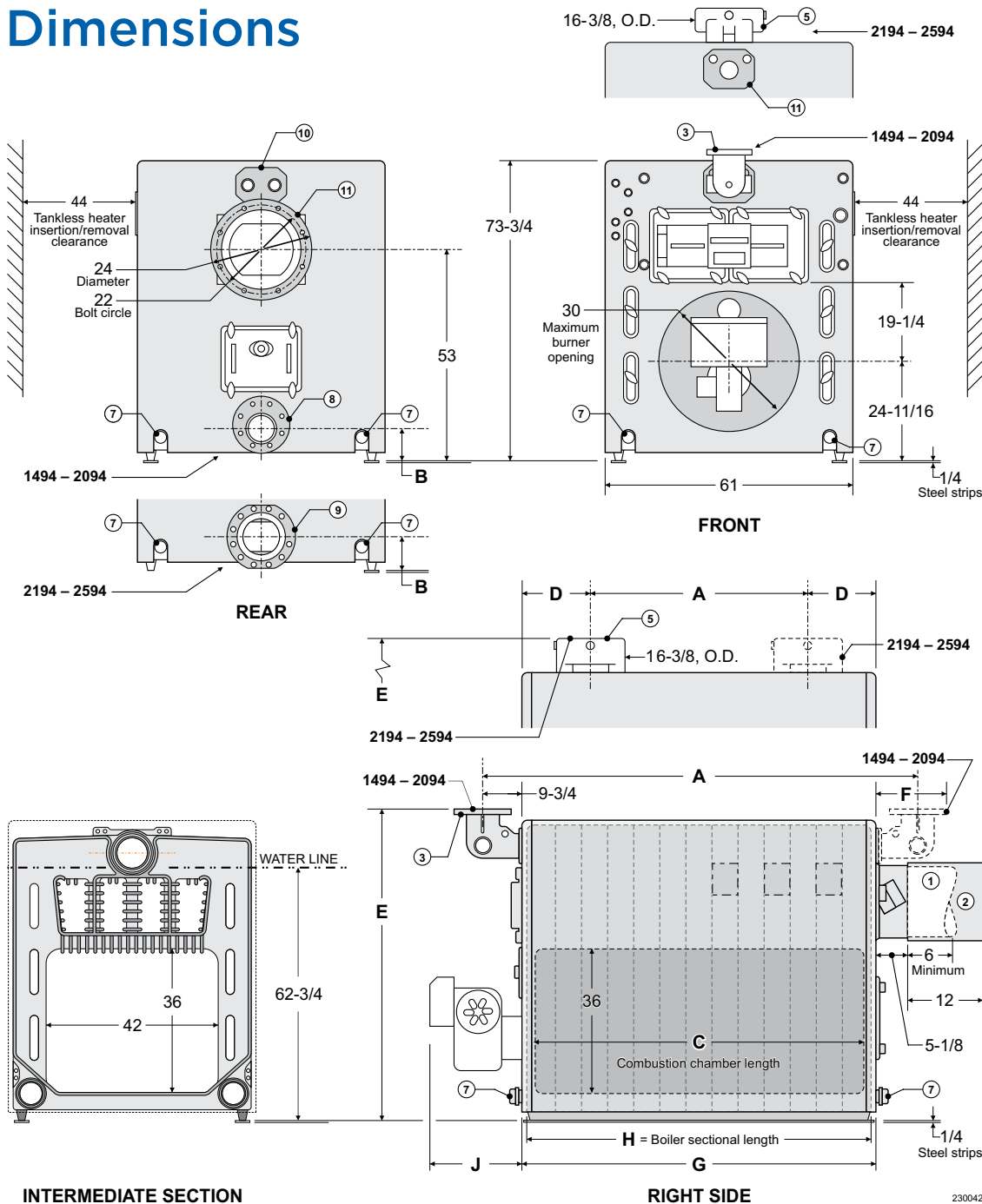
## OPTIONAL EQUIPMENT

- Factory assembled section block (1494-2194)
- Fire-tested packaged units
- Burner controls
- Water level controls & low water cut-offs
- Barometer damper
- 1.2" Side inspection openings with plugs
- 80 psi working pressure
- Manometer
- Tankless heater(s)
- Flame retention oil, gas, or gas/oil burner

## LIMITED TRANSFERABLE WARRANTY

- Residential: 10 Years Heat Exchanger;  
1 Year Parts
- Commercial: 10 Years Heat Exchanger;  
1 Year Parts

# Dimensions



230042

Model	Dimensions (inches)								Supply & Return Tappings		Burner lengths (Dimension J)
									Supply Tappings (No. / Size)	Return Tappings (No. / Size)	
	A	B	C	D	E	F	G	H	Water	Water	
1494	119-5/8	7/11/16	81	—	76	16-3/8	88-1/2	87	1 - 5"	1 - 6"	Refer to the burner specification and data sheet for dimensional information on the burner.
1594	125-5/8	7/11/16	87	—	76	16-3/8	94-1/2	93	1 - 5"	1 - 6"	
1694	131-5/8	7/11/16	93	—	76	16-3/8	100-1/2	99	1 - 5"	1 - 6"	
1794	119-5/8	7/11/16	99	—	76	16-3/8	106-1/2	105	1 - 5"	1 - 6"	
1894	125-5/8	7/11/16	105	—	76	16-3/8	112-1/2	111	1 - 5"	1 - 6"	
1994	131-5/8	7/11/16	111	—	76	16-3/8	118-1/2	117	1 - 5"	1 - 6"	
2094	137-5/8	7/11/16	117	—	76	16-3/8	124-1/2	123	1 - 5"	1 - 6"	
2194	143-5/8	7/11/16	123	21-1/4	82-1/2	—	130-1/2	129	1 - 5"	1 - 6"	
2294	72	7/11/16	129	21-1/4	82-1/2	—	136-1/2	135	1 - 5"	1 - 6"	
2394	84	7/11/16	135	21-1/4	82-1/2	—	142-1/2	141	1 - 5"	1 - 6"	
2494	90	7/11/16	141	21-1/4	82-1/2	—	148-1/2	147	1 - 5"	1 - 6"	
2594	96	7/11/16	147	21-1/4	82-1/2	—	154-1/2	153	1 - 5"	1 - 6"	

## RATINGS

Model	Burner Capacity		Oil Gross Output Rating	Gas Gross Output Rating	Oil Boilers	Gas Boilers	Oil Boiler H.P.	Gas Boiler H.P.	Flue Outlet Diameter	Boiler Water / Steam Content	Approx. Boiler Weight
	Input Oil (GPH)	Input Gas (MBH)	Oil Output (MBH)	Gas Output (MBH)	Thermal Efficiency (%)	Thermal Efficiency (%)	HP	HP	(Inches)	Gallons	Lbs
<b>1494</b>	32.5	4,550	3,868	3,731	85.0%	82.0%	115.5	111.5	20	440.7	15,698
<b>1594</b>	35.0	4,900	4,165	4,018	85.0%	82.0%	124.4	120.0	20	468.4	16,540
<b>1694</b>	37.5	5,250	4,463	4,305	85.0%	82.0%	133.3	128.6	20	496.2	17,382
<b>1794</b>	40.0	5,600	4,760	4,592	85.0%	82.0%	142.2	137.2	20	523.9	19,024
<b>1894</b>	42.5	5,950	5,058	4,879	85.0%	82.0%	151.1	145.8	20	551.6	19,866
<b>1994</b>	45.0	6,300	5,355	5,166	85.0%	82.0%	160.0	154.3	20	579.4	20,708
<b>2094</b>	47.5	6,650	5,653	5,453	85.0%	82.0%	168.9	162.9	20	607.1	21,550
<b>2194</b>	50.0	7,000	5,950	5,740	85.0%	82.0%	177.8	171.5	20	634.8	22,562
<b>2294</b>	53.0	7,350	6,307	6,027	85.0%	82.0%	188.4	180.1	20	662.6	23,429
<b>2394</b>	55.0	7,700	6,545	6,314	85.0%	82.0%	195.5	188.6	20	690.3	24,296
<b>2494</b>	58.0	8,050	6,902	6,601	85.0%	82.0%	206.2	197.2	20	718.0	25,163
<b>2594</b>	60.0	8,400	7,140	6,888	85.0%	82.0%	213.3	205.8	20	745.8	26,030

